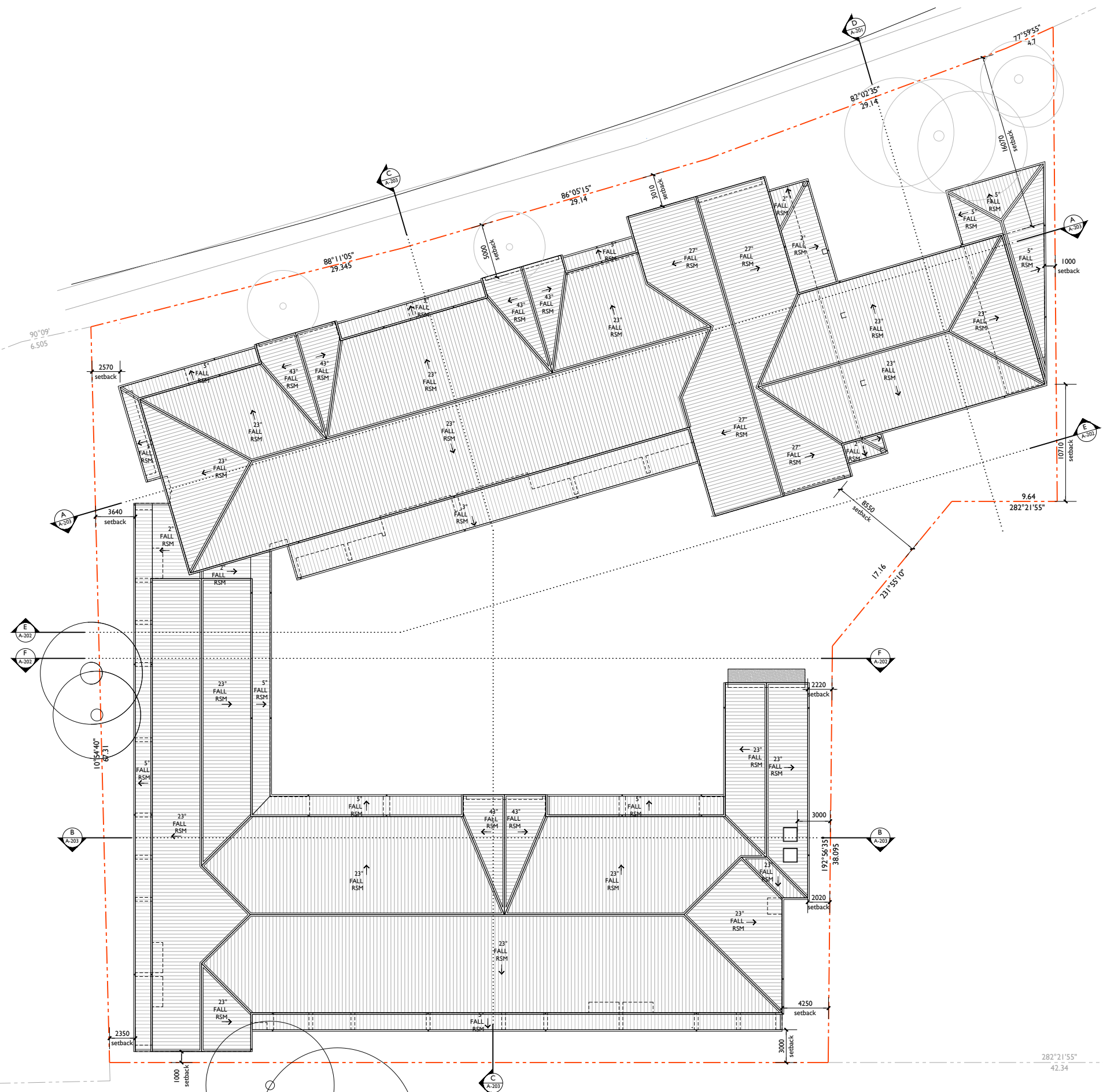
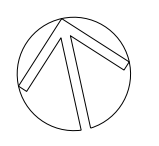


ROOF PLAN

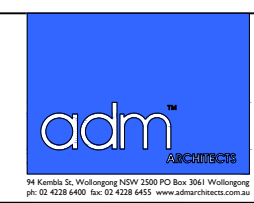


A	16-02-24	ISSUED FOR DA	LGD, HR, CA	ADM
ISSUE	DATE	DESCRIPTION	initials	chkd
sign	date			

These drawings are not to be scaled. Figured dimensions shall be used in all cases.



COPYRIGHT - These drawings remain the exclusive copyright of ADM Architects. Reproductions in any form whether electronic, digital or otherwise shall not be allowed except by express permission granted in writing by ADM Architects.
FIGURED DIMENSIONS - These drawings are not to be scaled. Figured dimensions shall be used in all cases.
DISCREPANCIES IN DIMENSIONS/POSITIONS/LOCATIONS/FINISHES The Contractor is to verify any dimensional, location or finish discrepancy with ADM Architects prior to any physical construction or setting out so that ADM Architects is given the opportunity to resolve potential discrepancies or conflicts in sufficient time without causing abortive work. The Contractor shall be responsible for notifying ADM Architects of any such discrepancy or conflict that may arise on site.
COORDINATION OF WORKS - These drawings are to be read in conjunction with the full set of consultant's drawings, specifications, reports and DA conditions.
NOMINATED ARCHITECT - The nominated Architect for ADM Projects (Australia) Pty Ltd T/AS ADM Architects is Angelo Di Martino ARB No. 7608



Project
PROPOSED MOTEL BUILDING WITH ON-GRADE PARKING
 for
NDCO GOULBURN PTY LTD
 at
61 SYDNEY ROAD GOULBURN

scale	1:200 @ A1	1:400 @ A3
date	FEBRUARY 2023	
drawn	LGD HR CA chkd	ADM
drawing	DEVELOPMENT APPLICATION	
	ROOF PLAN	
Project No.	2023-22	Issue
		A

NOT FOR CONSTRUCTION